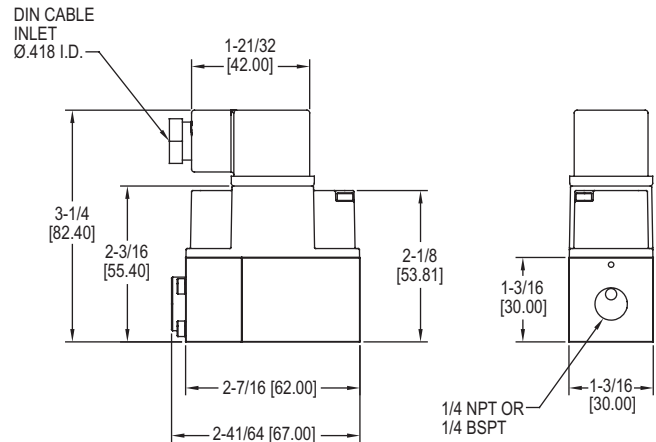
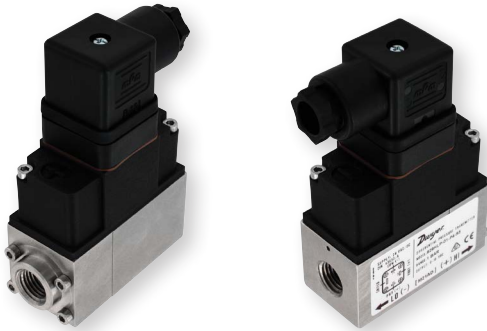


DIFFERENTIAL PRESSURE TRANSMITTERS

High Accuracy, IP65 Enclosure



The **Series 629HLP Differential Pressure Transmitters** are suitable for measuring over-pressure, under-pressure, and differential pressure in compatible gases and liquids with 1% accuracy. The 629HLP is suitable for all measuring tasks in commercial, industrial or sanitary applications. Dual pressure sensors convert pressure changes into a standard 4 to 20 mA or 0 to 10 VDC output signal.

FEATURES/BENEFITS

- Rugged, versatile, high accuracy device
- For liquid or gas systems requiring precise measurements
- Provide excellent response and reliability
- Suitable for static and dynamic measurements
- Converts pressure changes into 4 to 20 mA or 0 to 10 VDC output
- Compact, lightweight, capable to be installed in any arrangement making installation very simple

APPLICATIONS

- Heat exchangers
- Fan coils/air handlers
- Core testing applications
- Hydraulic systems
- High line pressures/low DP
- Pumps
- Commercial/industrial processes
- Sanitary process

MODEL CHART						
Example	629HLP	-01	-P2	-S1	-FC	629HLP-01-P2-S1-FC
Series	629HLP					Differential pressure transmitter
Range		1				0 to 1 bar
		2				0 to 2.5 bar
		4				0 to 4 bar
		6				0 to 6 bar
Process Connections			P2			1/4" female NPT
			P4			1/4" female BPST
Output Signal				S1		4 to 20 mA
				S5		0 to 10 VDC
Options					FC	Factory calibration
					NIST	NIST certificate

SPECIFICATIONS

Service: Compatible gases or liquids.
Wetted Material: 304 SS.
Housing Material: ABS.
Enclosure Rating: IP65.
Accuracy: ±1% from -5 to 60°C (23 to 140°F).
Stability: ±1% FS/year.
Temperature Limits: Ambient: -10 to 60°C (14 to 122°F); Process: -10 to 80°C (14 to 176°F).
Relative Humidity: 10% to 90% non-condensing.
Installation Position: Not position sensitive.
Pressure Limits: See Pressure Range Limits chart.
Burst Pressure: See Pressure Range Limits chart.
Static Pressure Limits: See Pressure Range Limits chart.
Output Signal: 4 to 20 mA, 0 to 10 VDC.
Response Time: 50 ms.
Rated Supply Voltage: 0 to 10 VDC Output: 12 to 36 VDC or 12 to 32 VAC (@ Max load of 2k Ω) 4 to 20mA output: 8 to 36 VDC.
Max Loop resistance: (Supply Voltage – 8 V) / 0.02 for 4 to 20mA output.
Power Consumption: $V_{out} = 13$ mA max, $I_{out} = 24$ mA max.
Electrical Connections: Form A DIN 43650.
Process Connections: 1/4" female NPT, 1/4" female BSPT.
Weight: 1 lb 4 oz (567 g).
Approvals: CE, RCM.

PRESSURE RANGE LIMITS

Pressure Range	Maximum Static Pressure (bars)	Over Pressure (bars)	Burst Pressure (bars)
0 to 1 bar	50	5	8
0 to 2.5 bar	50	5	8
0 to 4 bar	50	12	18
0 to 6 bar	50	12	18

ACCESSORIES

Model	Description
A-629HLP-BRK	Mounting bracket kit